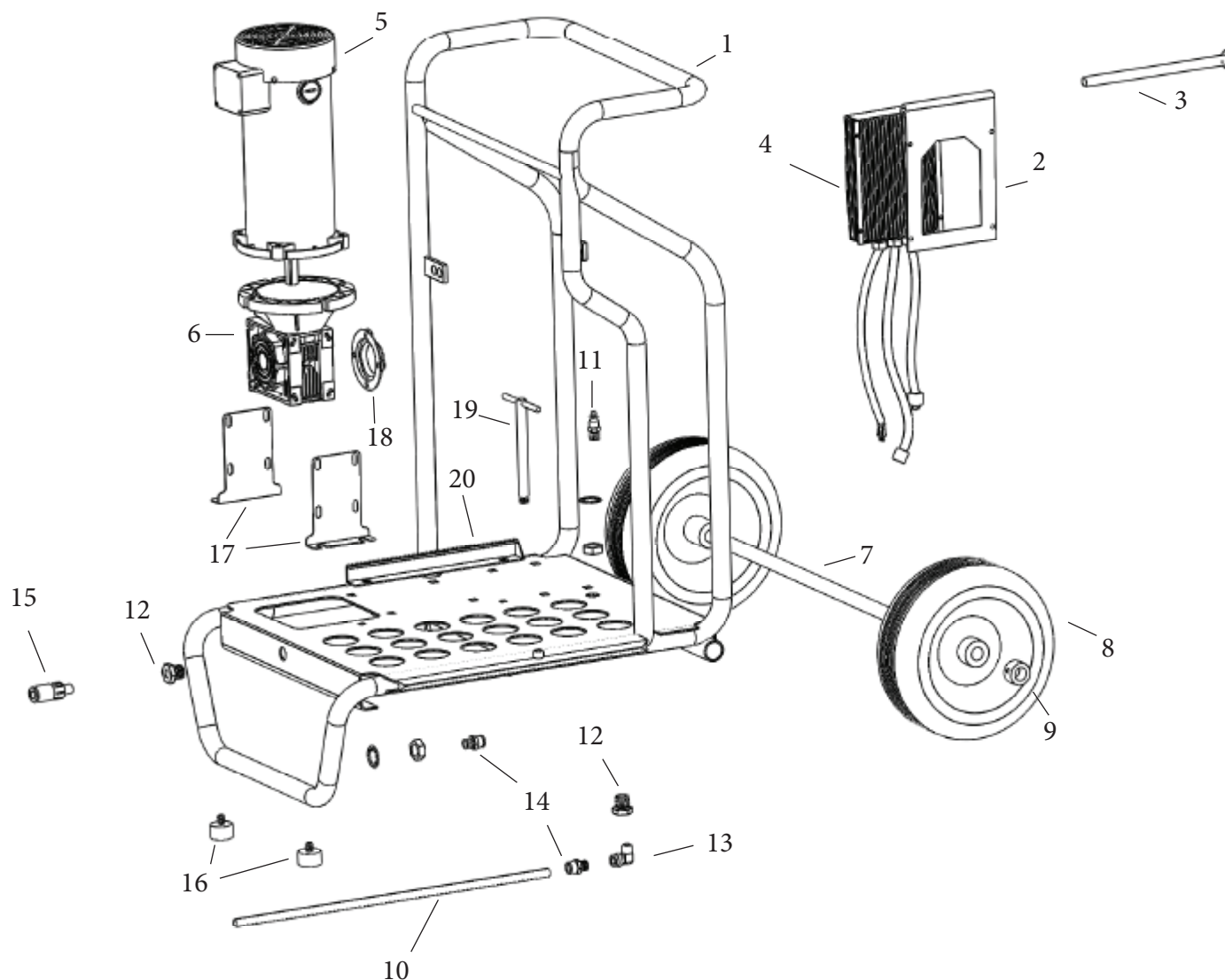


# FRAME PARTS LIST

- 1. 19-245F Frame
- 2. 19-020 Control Box Bracket
- 3. 19-241 Control Box Pin
- 4. 19-021DCJ Control Box
- 5. 19-037DC 1HP Electric Motor
- 6. 40-103 Gearbox
- 7. 19-029 26" Axle
- 8. 17-067 Wheel
- 9. 19-1578 Shaft Collar
- 10. 19-PFT-6B Nylon Hose
- 11. 10-141 Air Plug
- 12. 18-108 Bulkhead Connector
- 13. 16-011 1/4"x1/4" Street Elbow
- 14. 16-010 Push Fitting
- 15. 13-073 Air Quick Connector
- 16. 14-024 Bumper
- 17. 19-245G-B Gearbox Bracket
- 18. 40-102 Gearbox Cover
- 19. 18-096 Tee Handle
- 20. 18-094 L Bracket



**Note:**

Remove cover 18 to insert grease into item 8 at the drawing of the Pump hopper list

Remover Control box when washing the unit

Bolts and nuts not shown

**When ordering the Rotortex 245-EB, items 10, 11, 12, 13, 14, 19, and 20 not included**