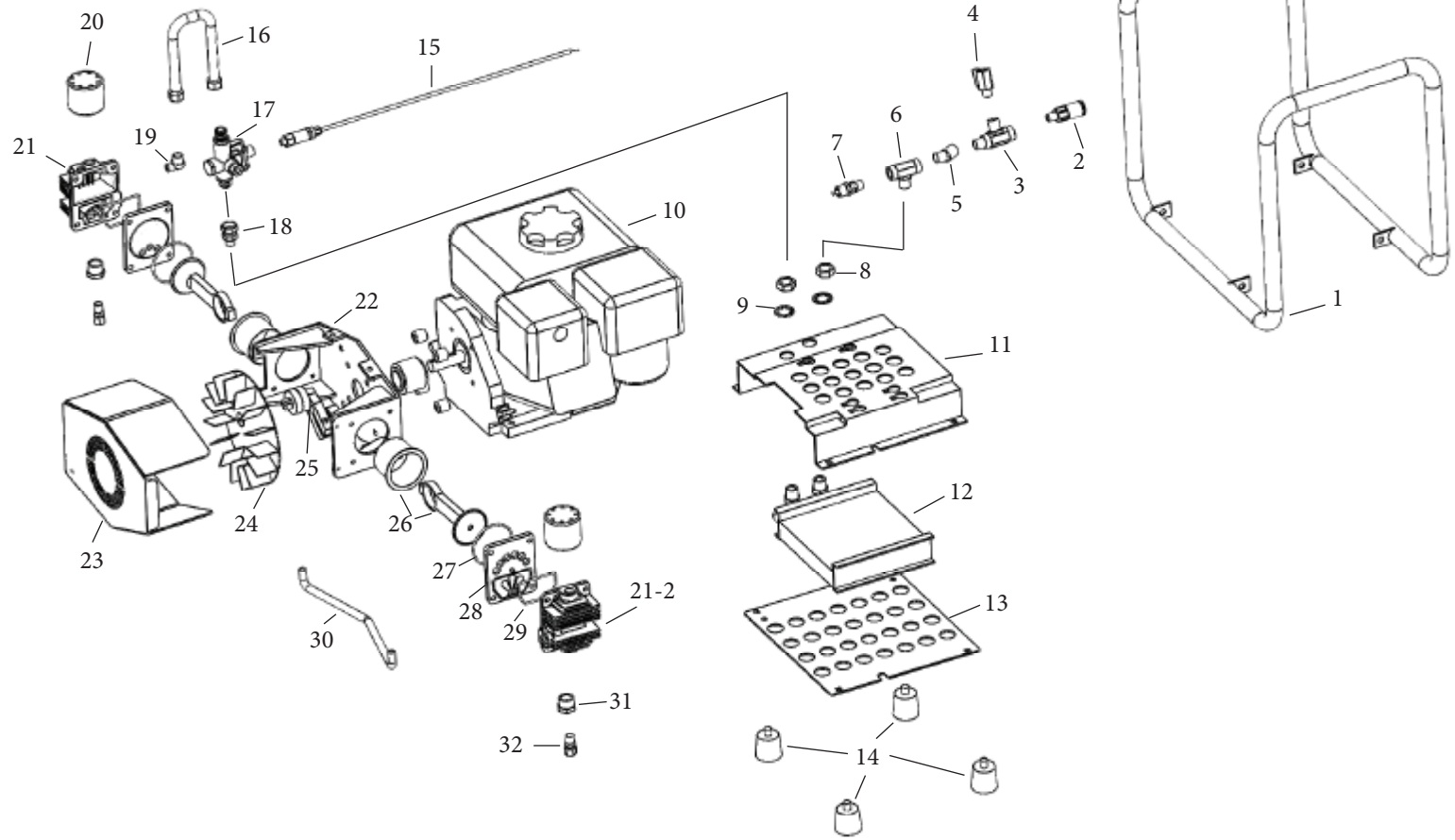


# 18-600B PARTS LIST

1. 18-100-600 Handle
2. 13-073 Air Coupler
3. 14-001 Special Tee
4. 10-110 Air Valve
5. 17-078 Adapter
6. 19-157 Tee
7. 18-098 Safety Air valve
8. 20-098 Nut
9. 20-099 Washer
10. 19-1545-R Honda GX160
11. 17-077 Base
12. 17-063 Cooler
13. 18-093 Bottom Cover
14. 14-024-R Bumper
15. 18-602 Control Cable
16. 18-061 Pressure Hose
17. 18-057 Anloader
18. 18-097 Swivel 3/8" x 1/4"
19. 18-058 Elbow Air Outlet
20. 18-054 Air Filter
21. 15-038 Left Head
- 21-2. 15-038-2 Right Head
22. 18-051 Main Housing
23. 18-052 Housing Cover
24. 17-617 Fan
25. 18-056-Ass Crank Assembly
26. 17-010 Rod
27. \*\*\* O-ring Cyl
28. 17-0386 Valve Plate
29. \*\*\* O-ring Valve Plate
30. 15-001 Brass Tube
31. 15-056 Compression Fitting
32. 15-002 Brass Fitting



Note:

Parts marked \*\*\* included with item 26  
Screws and nuts not shown in the image